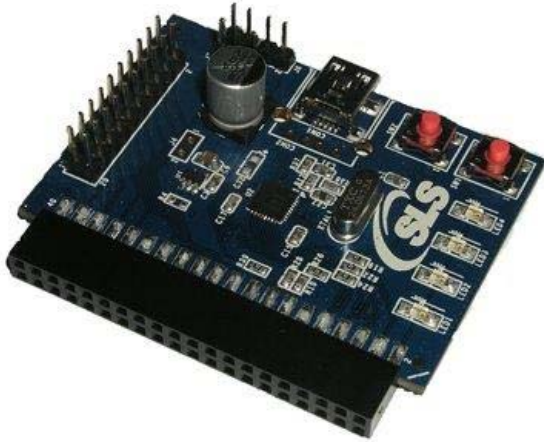


The USB 2.0 Add On Board is designed to provide connectivity between USB 2.0 Host / OTG controller and USB 2.0 Device IP core. The Add On board provides a fast, versatile, and easy-to-use communication path for data exchange between the device and host. The board provides complete Hi-Speed USB 2.0 physical front-end solution that supports high-speed (480 Mbit/s), full-speed (12 Mbit/s) and low-speed (1.5 Mbit/s).



Deliverables

- USB 2.0 Add On Board
- USB 2.0 Cable
- Installation CD
 - Board Reference Manual

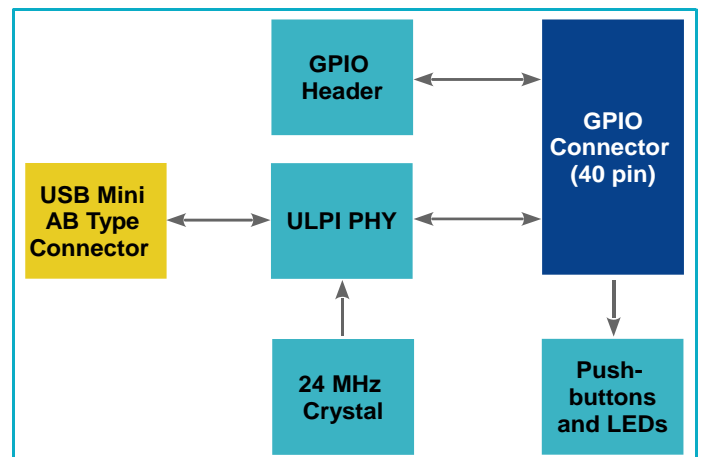
The board works seamlessly with the following SLS USB 2.0 IP Cores. Download the IP Cores from:

- **USB 2.0 Device:** <http://slscorp.com/ip-cores/communication/usb-20-device.html>
- **USB 2.0 Host:** <http://slscorp.com/ip-cores/communication/usb-20-host.html>

Board Features

- USB 2.0 ULPI compliant Richnex RN1133 PHY
- Standard 40 Pin GPIO interface
- Two User Interface Push-buttons
- Four User Interface LEDs
- On board crystal for clock input to PHY
- 20 Pin GPIO Header
- Debug Header

Block Diagram



For more information on USB 2.0 Add On board, visit <http://www.slscorp.com/products/add-on-boards/usb-2-0.html>