

Add On Board

Ethernet MAC 10/100

The Ethernet MAC 10/100 Add On Board is a GPIO interface board which plugs into the GPIO header of the CoreCommander board to provide the Ethernet interface to the CoreCommander board.

The board can also be used with the base boards having SantaCruz interface and HSMC interface. To know more about using the board with different base boards, refer [Ethernet Snap On board](#) web page or download the [Ethernet Add On board user guide](#).



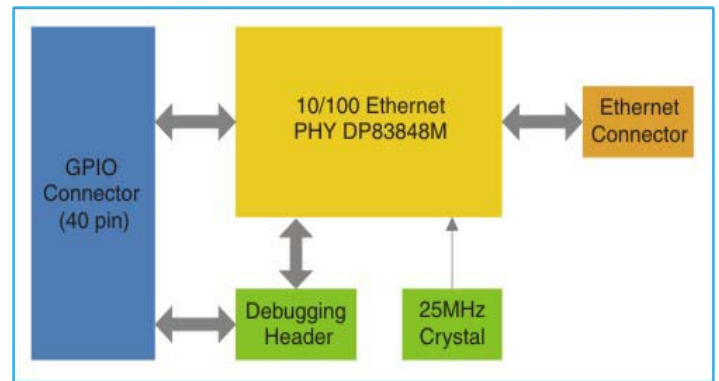
Deliverables

- Ethernet MAC 10/100 Add On Board
- Ethernet Cross Cable
- Installation CD
- Ethernet MAC 10/100 IP Core (OpenCore Plus Evaluation version)
- Board Reference manual

Board Features

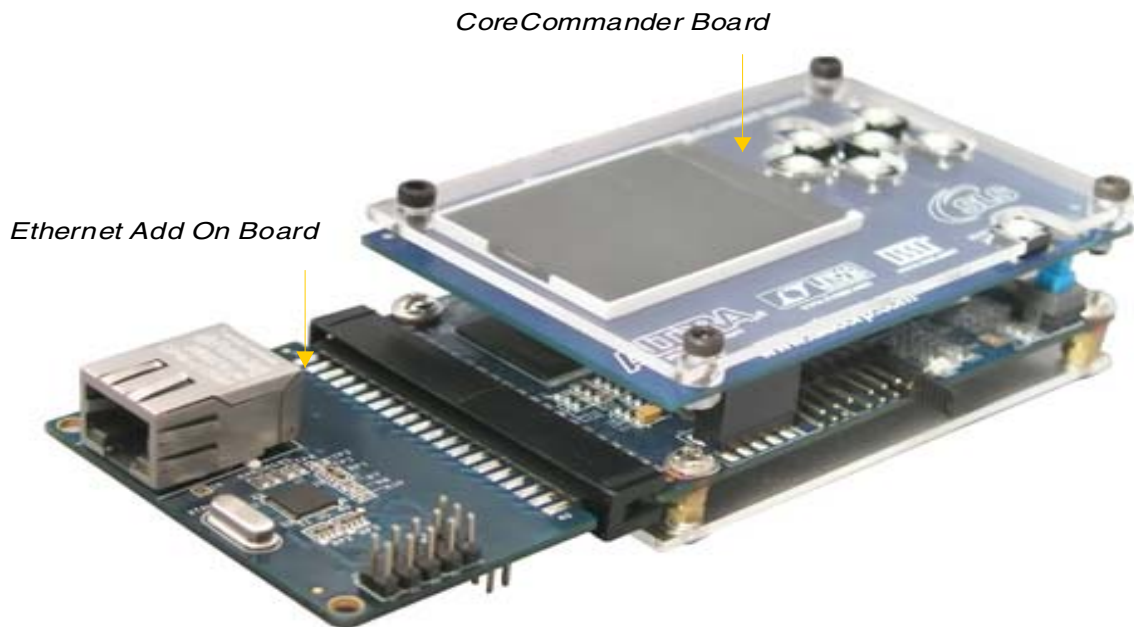
- Ethernet MAC 10/100 Interface (PHY Chip DP83848M)
- GPIO Interface compatible with CoreCommander
- Five Debugging Headers
- Crystal Oscillator of 25 MHz

Block Diagram



Example Usage

Figure below shows the connection of Ethernet MAC 10/100 Add On board with the CoreCommander board.



For more information on Ethernet MAC 10/100 Add On board, visit <http://www.slscorp.com/products/add-on-boards/ethernet-mac-10100-.html>