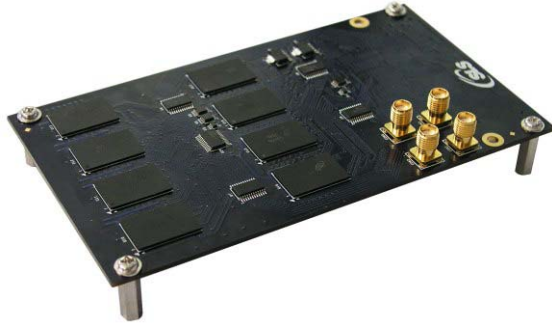
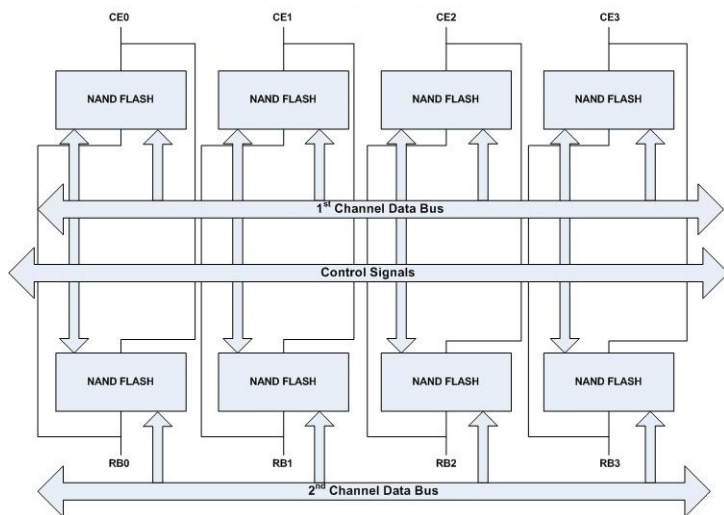


The ONFI 2.0 HSMC (High Speed Mezzanine Card) is designed to develop NAND Flash based applications with Development boards having the High Speed Mezzanine Card (HSMC) connector. The board provides connectivity to eight 16Gb NAND Flash devices and one High Speed Transceiver Transmit and Receive channel via SMA connectors.



Block Diagram



Application

- The board can be used as the development platform for Solid State Storage with or without High speed transceiver interface
- Extends storage capacity of the FPGA host board having standard HSMC Host interface

Deliverables

- ONFI 2.0 HSMC Board

Note: The board does not include any Reference design

Application Examples

The following examples show the ONFI 2.0 HSMC board connection with the DSP Development Kit, Cyclone III Edition and Stratix IV GX Development Board.



Features

- Eight 16 Gb NAND Flash Memory devices (Total 16 GB Storage capacity)
- Support for two NAND Flash Controllers per board with 4 devices per controller for Asynchronous Interface NAND Flash device
- Four SMA connectors to support one High Speed TX and RX channel
- Standard HSMC interface



For more details, please visit <http://www.slscorp.com/products/hsmc-snap-on-boards/onfi-20-hsmc.html>

System Level Solutions

14100 Murphy Avenue, San Martin, CA 95046
India Office: 32, D/4, Phase 1, G.I.D.C Estate, V. U. Nagar-388 121, Gujarat.
Tel: 91-2692-232 501 / 502 • Fax: 91-2692-232 503 / 1-408-856 2469
E-mail: info@slscorp.com • Website: www.slscorp.com